

1. Application

The Inlaatcombinatie is designed as a form of protection for hot water appliances such as heaters and CH combination boilers which are connected using the principle of water pressure. The Inlaatcombinatie limits excess pressure developing when water is heated in a closed tank. Surplus water is drained via the expansion outlet.

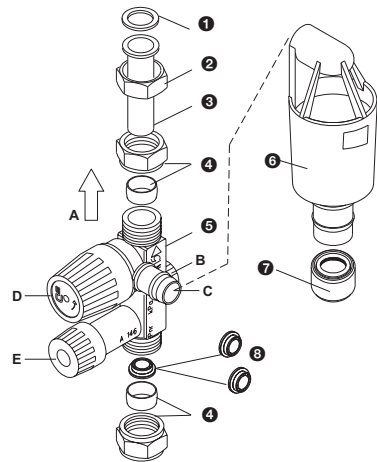
2. Specifications

Description	07.92.64.051	07.92.64.055
Maximum operating pressure	8 bar	6 bar
Maximum water pressure ¹⁾	6 bar	4 bar
Connection	DN 15	

1) If the maximum water pressure is higher than specified, install a pressure reducing valve for the safety group.

3. Components

The set consists of the following components:



Key to components		Configuration	
		8 bar	6 bar
1	Gasket ring	•	—
2	1/2" compression nut	•	—
3	Extension pipe	•	—
4	15 mm compression fitting set (2x)	•	•
5	Safety group	•	•
6	Funnel with trap	•	•
7	Adapter	•	•
8	Flow limiters (8 l/min & 10 l/min)	—	•
A	Direction of flow. Maintain this direction during assembly.		
B	Test cap. This enables the non-return valve to be tested.		
C	Expansion outlet. The expansion water is discharged through here.		
D	Relief valve. This valve ensures that the pressure in the appliance does not exceed the maximum operating pressure while the water is being heated.		
E	Shut-off valve. This enables the water supply to the appliance to be shut off.		
—	Non-return valve. This integrated valve prevents water from returning through the supply pipe.		

4. Installation

Take the following into consideration during installation:

- Install the safety group as outlined in this manual and in line with relevant local installation and safety instructions.
- Before installation, rinse out the water pipe until the water runs clean and clear.
- Only install the safety group in a frost-free room, due to the risk of freezing.
- Connect the safety group to the appliance's supply pipe (cold water).
- The expansion outlet must remain unobstructed in the open air. Only the funnel may be connected to the expansion outlet. Do not connect a hose or pipe to the expansion outlet.
- The funnel tip must point straight down.
- Fit the outlet connection lower than the funnel for the safety group.
- The length of the pipe between the safety group and the appliance should be no more than 2 metres.
- Position the safety group so that the flow direction is either horizontal or vertical from bottom to top, and mark with an arrow on the safety group.
- A flow limiter needs to be installed for the Itho Daalderop appliances where the 6-bar safety group is used. The type of flow limiter required by your appliance is specified on the packaging.

Caution!

If no water comes out of the expansion outlet during heating, immediately switch the hot water appliance off and open the hot water tap to reduce the water pressure.

5. Warranty

All Itho Daalderop products are covered by a standard two-year factory warranty. During this period, the product or product component will be repaired or replaced free of charge by an installer designated by Itho Daalderop.

Itho Daalderop Export

E export@ithodaalderop.nl