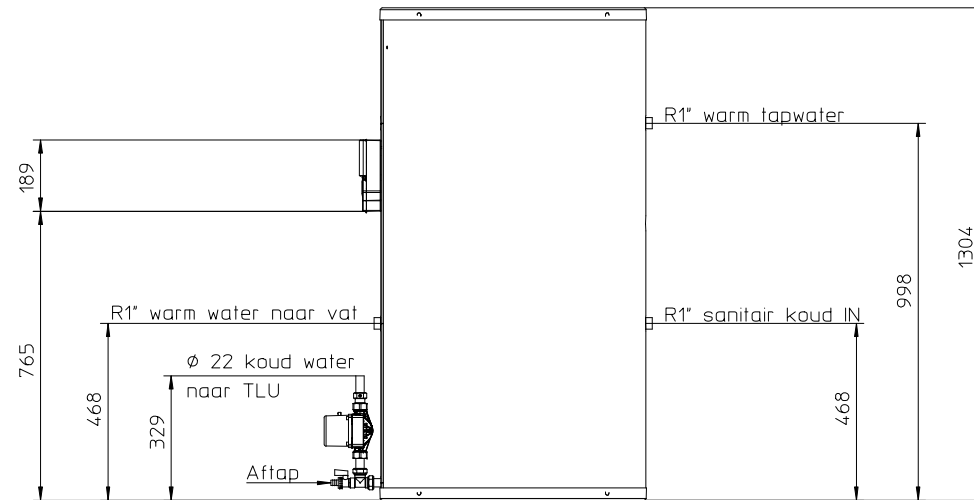
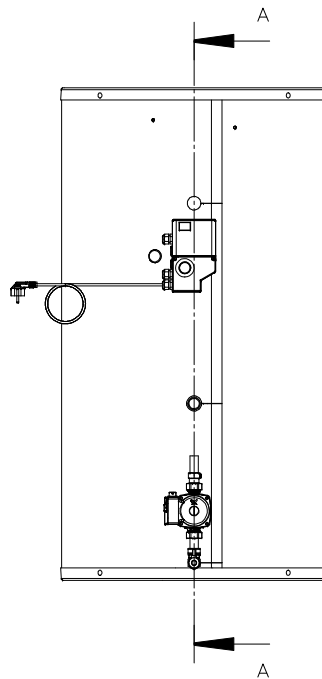


SECTION A-A



USE RANGE	TOLERANCE	SURFACE	PROJECTION	FORMAT A2	SCALE 1:10	DIM. mm
ONLY FOR INFORMATION						
	DATE	NAME	SUBJECT			
	DRAWN 3-5-2010	F. Jacobs	PHSS200-NL			
	APPR.		DRAWING-NUMBER			
	RLS.		118-2100-000			
REV	DESCRIPTION	DATE	NAME	ORIGINAL	Sheet 1	DRAWING FORMAT A2

