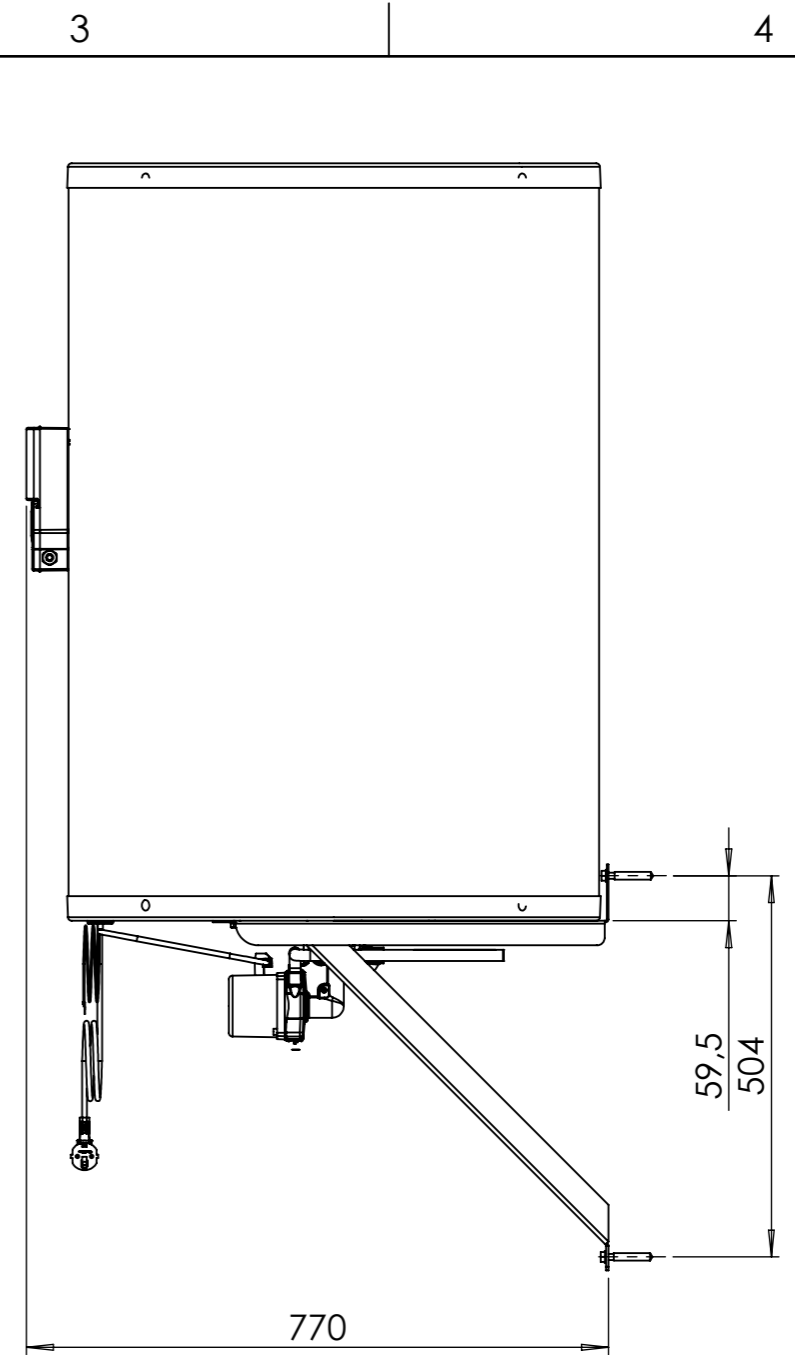
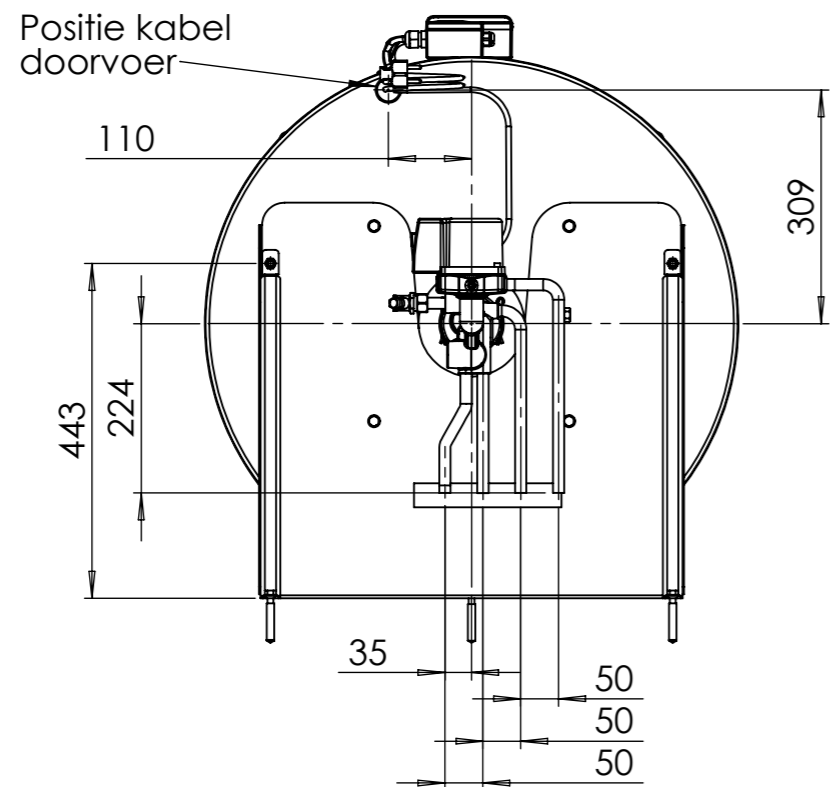
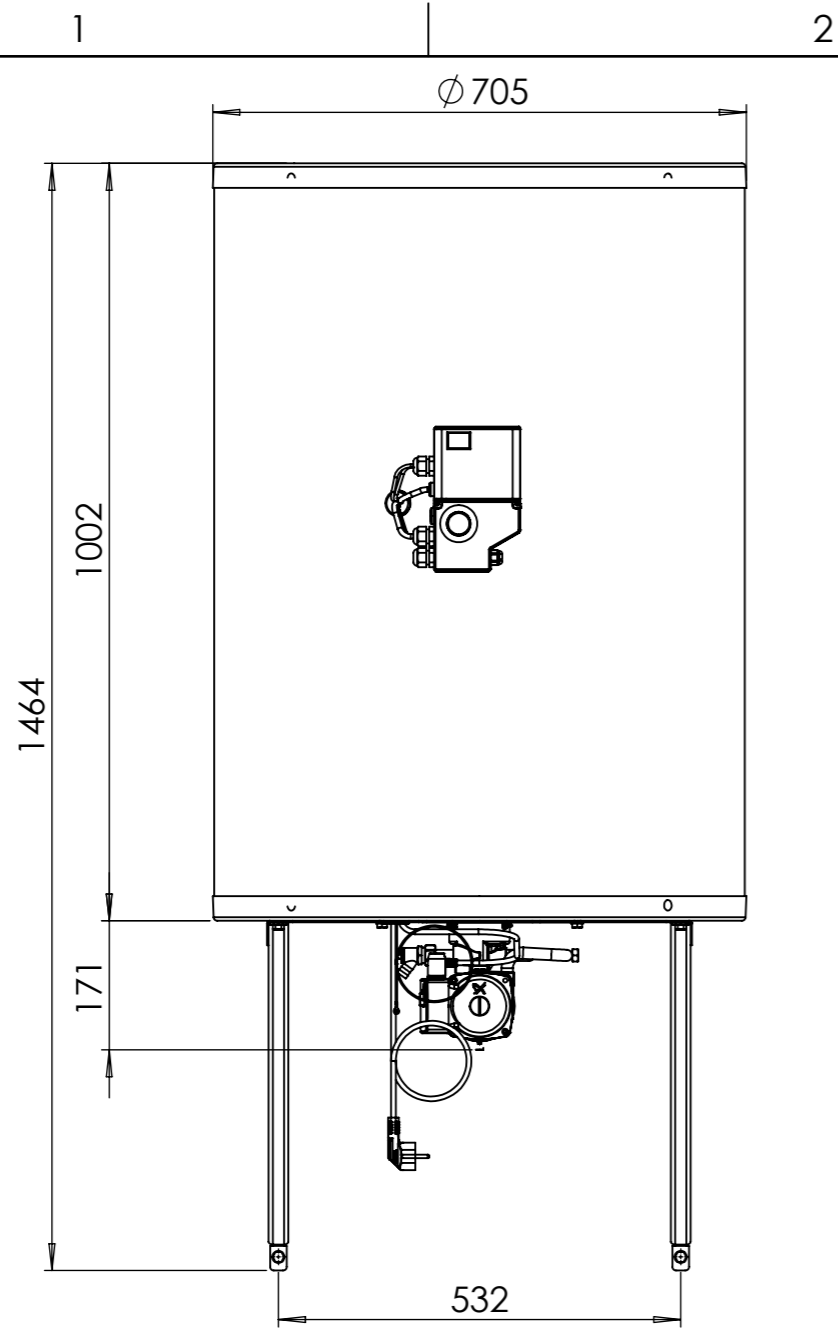


Alle rechten voorbehouden
 reproduktie of gebruik in enige vorm
 t.b.v. derden is niet toegestaan zonder
 schriftelijke toestemming van de eigenaar
 All rights reserved. Reproduction or issue
 to third parties in any form whatever is
 not permitted without the written authorisation
 from the proprietor



 THIS DRAWING IS PROPERTY OF ITHODAALDEROP BV.	Tolerance NEN ISO 2768	Projection view		Scale	Format
	Form & Orientation tolerance according ISO 1101			1:10	A3
Created by BB	This product has to comply with: EN291, EN483, EN625, EN656, EN677	Checked			
Creation date 21-06-2012		Status			
Change No°	Material	Units	Sheets	Version	
Change date	Mass	mm	1/1		
ZB 150L MAATTEKENING		Articulenumber 118-1152		Revision	